

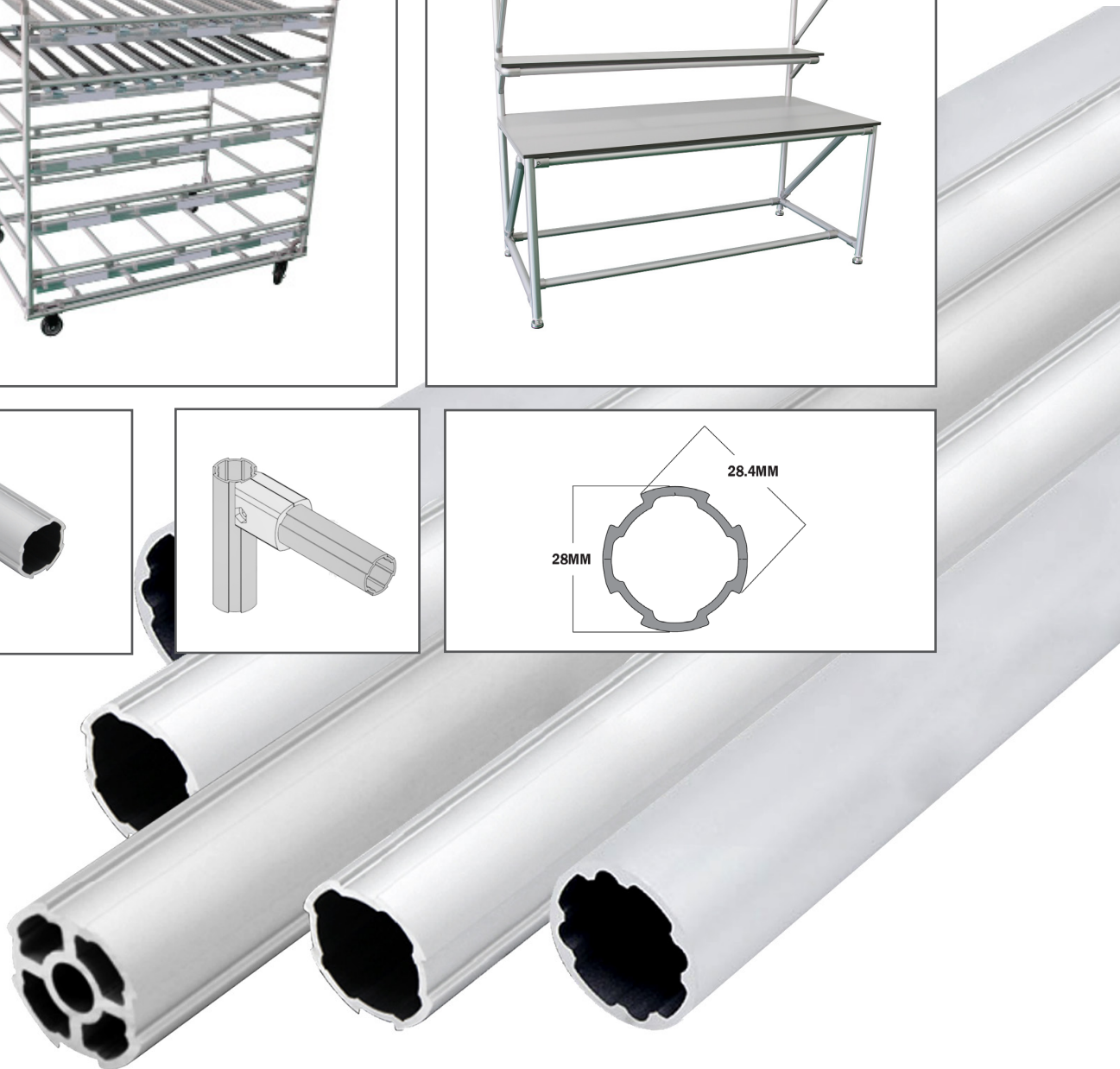
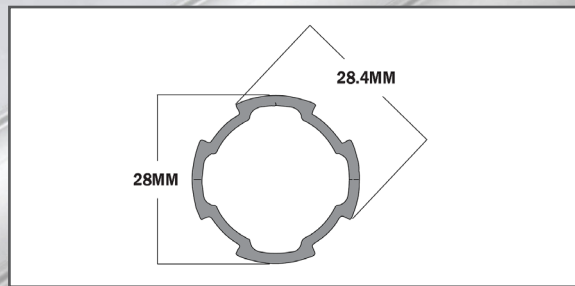
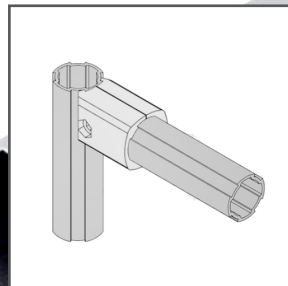


28 Series Lean


Aluminum Profile System


PARTS & COMPONENTS


Extensive Range of Parts & Components


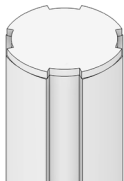


Profiles & End Caps


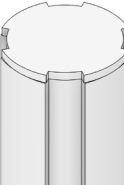
	Weight (Per Meter)
	.41 KG
	Material
	Aluminum Alloy 6005T6
	Max Length
10D-28G-0 28MM Profile W/ Ridge & Internal Mount	4 Meters
	Profile Clamping
	Internal & External

	Weight (Per Meter)
	.72 KG
	Material
	Aluminum Alloy 6005T6
	Max Length
10D-28H-0 Heavy 28MM Profile W/ Ridge & Internal Mount	4 Meters
	Profile Clamping
	External


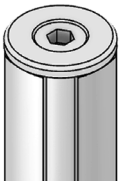
	Weight (Per Meter)
	.52 KG
	Material
	Aluminum Alloy 6005T6
	Max Length
10D-28R-0 28MM Profile Smooth Frame W/ Internal Mount	4 Meters
	Profile Clamping
	Internal

63-100-GN
1/4 IN. Green
PVC Panel
(4 FT. X 8 FT.)

63-100-GN
1/4 IN. Green
PVC Panel
(4 FT. X 8 FT.)

63-100-GN
1/4 IN. Green
PVC Panel
(4 FT. X 8 FT.)

MODULAR SOLUTIONS

FLEXIBLE SOLUTIONS

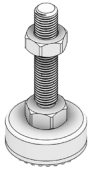


10D-28G-0
28MM Profile
W/ Ridge & Internal
Mount

41D-121-0
Connector
90° End to Outer
Type

41D-163-0
Connector
90° Shaft to
Dual End

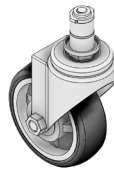
41D-100-0
Connector
End to Ridge Mount
Straight



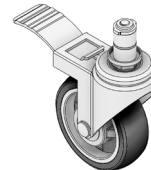
30D-M10D35-1
Leveling Foot
35MM Pad/ M10 Thread
W/ Jam Nut



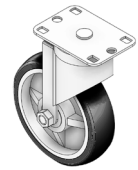
31D-RPD5-0
Rigid Plate Caster
5 IN.



31D-SM10D4-0
Stem Style Caster
4 IN.



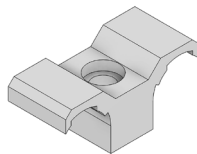
31D-SM10D4-1
Stem Style Caster
4 IN.
W/ Brake



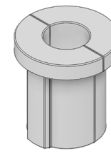
31D-SPD5-0
Swivel Plate Caster
5 IN.



31D-SPD5-1
Swivel Plate Caster
5 IN.
W/ Brake



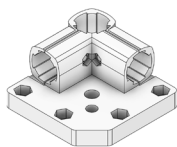
32D-28C-0
Caster Clamp



32D-28F-0
Connector
Foot Connection for M10
Stud



60D-283-0
Foot End Cap Cover
Foot Base Outside



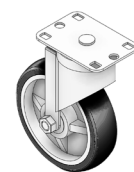
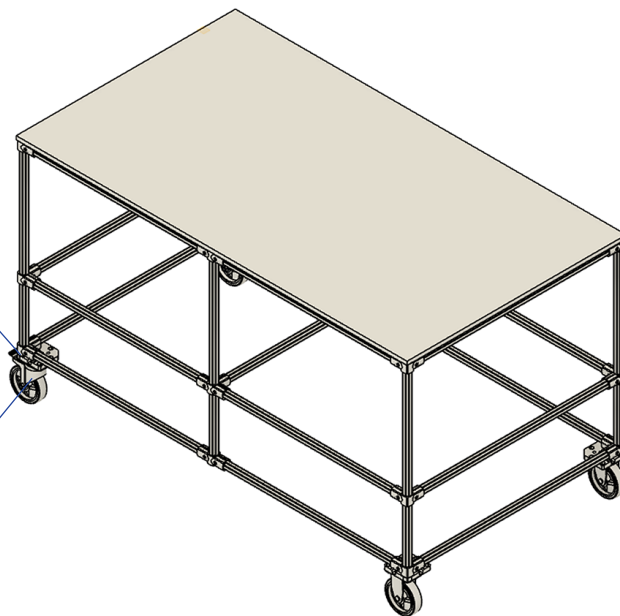
41D-154-0
Functional Connector



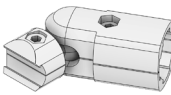
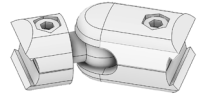
10D-28H-0
Heavy 28MM Profile W/
Ridge & Internal Mount

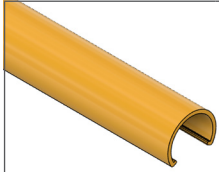


31D-SPD5-1
Swivel Plate Caster
5 IN.
W/ Brake

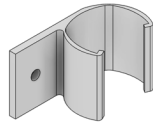


31D-SPD5-0
Swivel Plate Caster
5 IN.

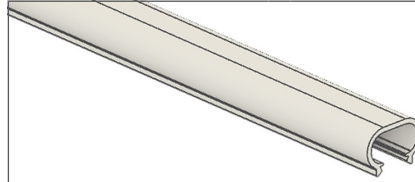
					
41D-100-0 Connector End to Ridge Mount Straight	41D-103-0 Connector Base Ridge Mount	41D-106-0 Dual Connector Ridge to Ridge	41D-109-0 Dual Connector 90° Cross Ridge to Ridge	41D-112-0 Dual Connector Ridge to Ridge	41D-115-0 Connector Shaft to Ridge Straight
					
41D-118-0 Connector 45° End to Ridge Mount	41D-121-0 Connector 90° End to Outer Type	41D-124-0 Dual Connector 45° Point Supporting Ridge to Ridge	41D-127-0 Connector 135° for Outer Ends		
					
41D-130-0 Connector End Internal to Ridge Straight Rotate Type	41D-139-0 Connector 90° End to End Inner Type	41D-142-0 Connector 135° End to End Inner Type	41D-145-0 Connector 45° Internal End to Ridge Mount	41D-148-0 Connector Shaft to End Straight	
			41D-157-1 D28 End to 45 Series Profile 41D-157-3 D28 End to 30 Series Profile		
41D-151-0 Connector Shaft to Dual End Inline	41D-154-0 Functional Connector	41D-157-* Connector 28 Series End to Profile Also includes mushroom nut for other popular profiles		41D-160-0 Connector Shaft to Triple End Tee	41D-163-0 Connector 90° Shaft to Dual End
	41D-166-1 D28 Ridge to 45 Series Profile 41D-166-3 D28 Ridge to 30 Series Profile				
41D-166-* Connector Creates 28 Series Ridge to Profile Also includes mushroom nut for other popular profiles		42D-280-0 Connector Free Angle Outer to Ridge	42D-283-0 Connector Free Angle Ridge to Ridge	42D-286-0 Connector 28 Series Swivel Joint	44D-280-0 Connector Tee Connector Based End Connection



61D-010-2
Plastic Pipe Cover



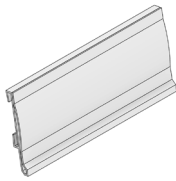
64D-280-0
Plate and Panel Holder



65D-280-0
Plastic Conduit



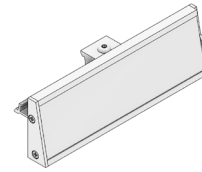
79D-100-0
Hang tag Clip



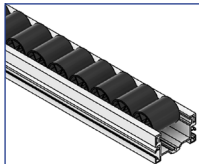
79D-101-0
Plastic Sign Board
Works W/ (2) 79D-102-0



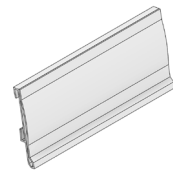
79D-102-0
Plastic Sign Board Clip
Use (2) W/ 79D-101-0



79D-103-0
160MM Long Aluminum
Sign Board



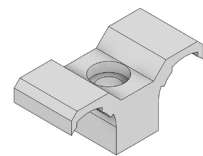
79D-001-1
60MM Wide Roller Track
Aluminum Frame



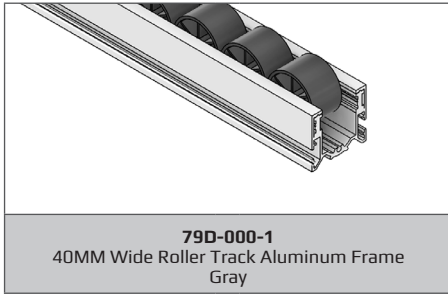
79D-101-0
Plastic Sign Board
Works W/ (2) 79D-102-0



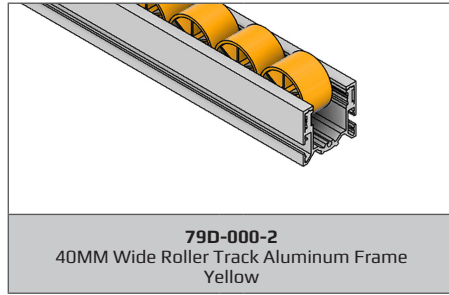
10D-28R-0
28MM Profile Smooth
Frame W/ Internal Mount



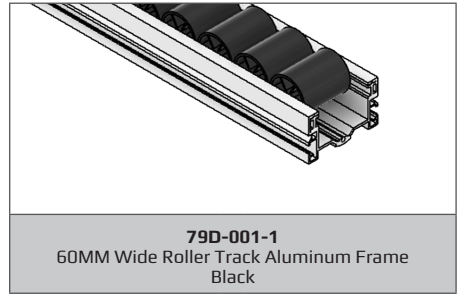
32D-28C-0
Caster Clamp



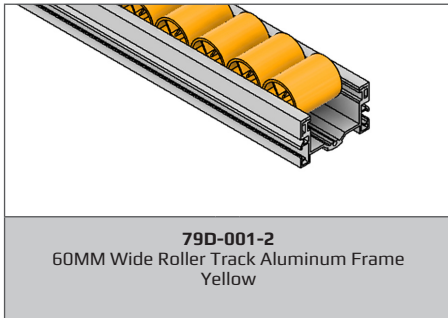
79D-000-1
40MM Wide Roller Track Aluminum Frame
Gray



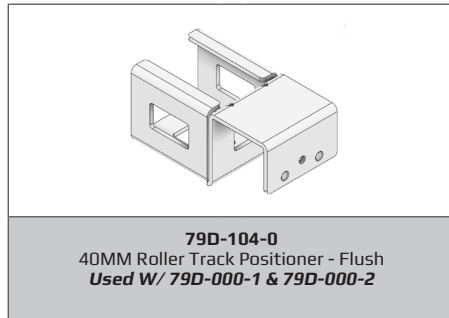
79D-000-2
40MM Wide Roller Track Aluminum Frame
Yellow



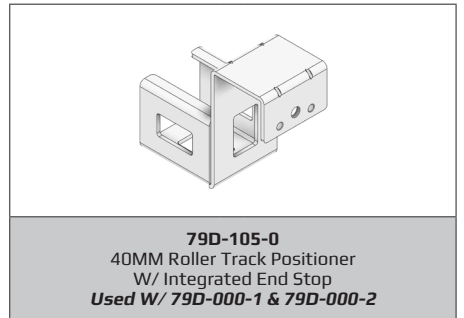
79D-001-1
60MM Wide Roller Track Aluminum Frame
Black



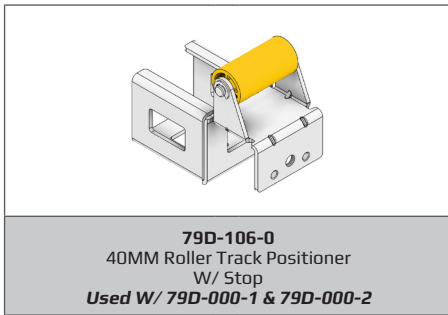
79D-001-2
60MM Wide Roller Track Aluminum Frame
Yellow



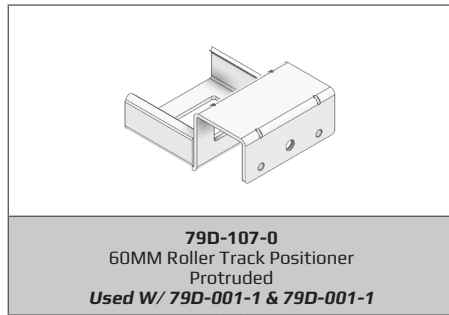
79D-104-0
40MM Roller Track Positioner - Flush
Used W/ 79D-000-1 & 79D-000-2



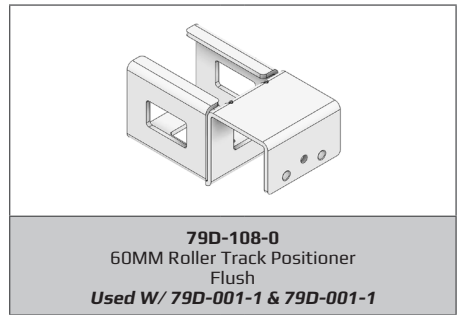
79D-105-0
40MM Roller Track Positioner
W/ Integrated End Stop
Used W/ 79D-000-1 & 79D-000-2



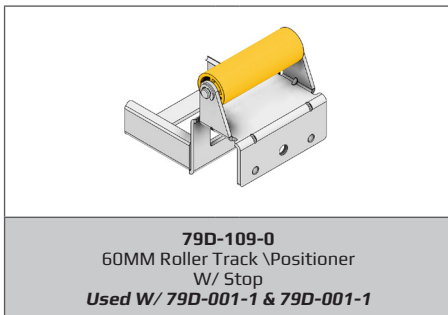
79D-106-0
40MM Roller Track Positioner
W/ Stop
Used W/ 79D-000-1 & 79D-000-2



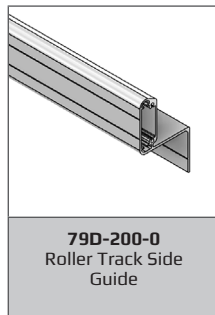
79D-107-0
60MM Roller Track Positioner
Protruded
Used W/ 79D-001-1 & 79D-001-2



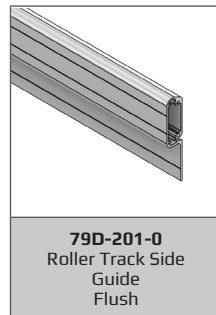
79D-108-0
60MM Roller Track Positioner
Flush
Used W/ 79D-001-1 & 79D-001-2



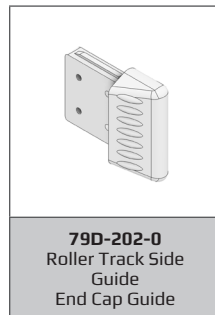
79D-109-0
60MM Roller Track Positioner
W/ Stop
Used W/ 79D-001-1 & 79D-001-2



79D-200-0
Roller Track Side
Guide



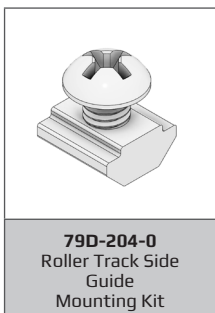
79D-201-0
Roller Track Side
Guide
Flush



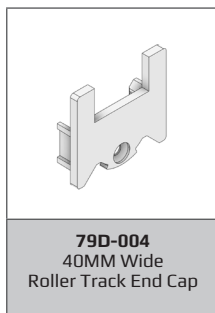
79D-202-0
Roller Track Side
Guide
End Cap Guide



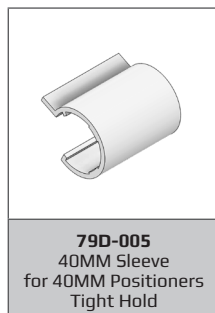
79D-203-0
Roller Track Side
Guide
End Cap



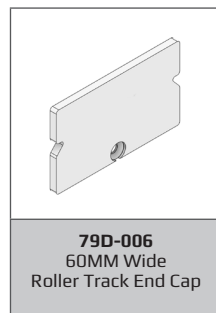
79D-204-0
Roller Track Side
Guide
Mounting Kit



79D-004
40MM Wide
Roller Track End Cap



79D-005
40MM Sleeve
for 40MM Positioners
Tight Hold

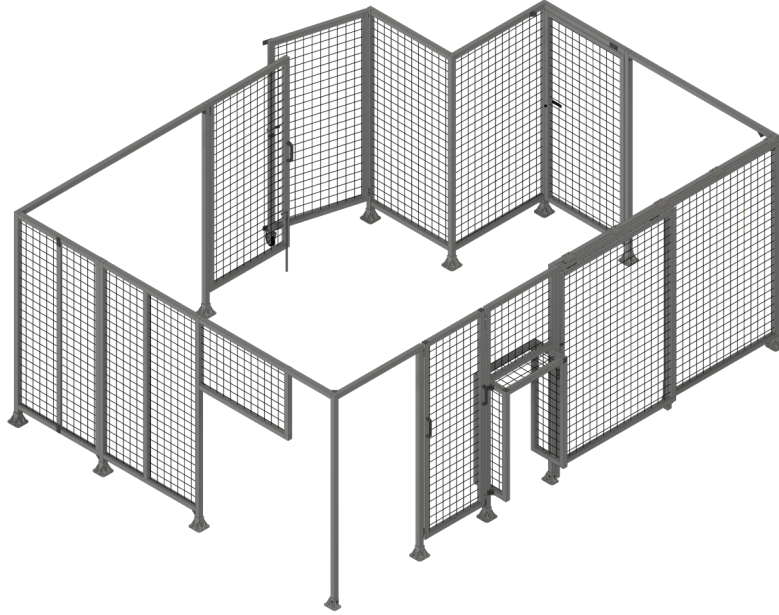


79D-006
60MM Wide
Roller Track End Cap



79D-007
60MM Sleeve
for 60MM Positioners
Tight Hold

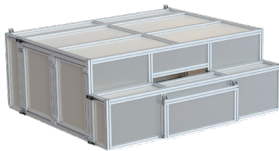
Ask Us About Our Other Products



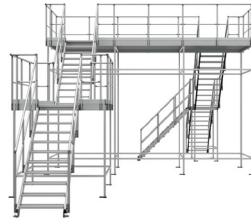
Robotic & Equipment Guarding



Conveyors



Enclosures



Stairs & Mezzanines



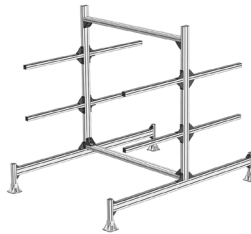
Work Stations



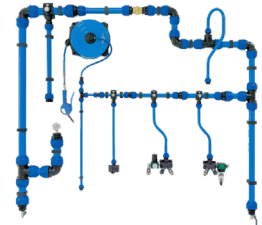
Flow Racks



Carts



Stands/Fixtures



Quick Pipe